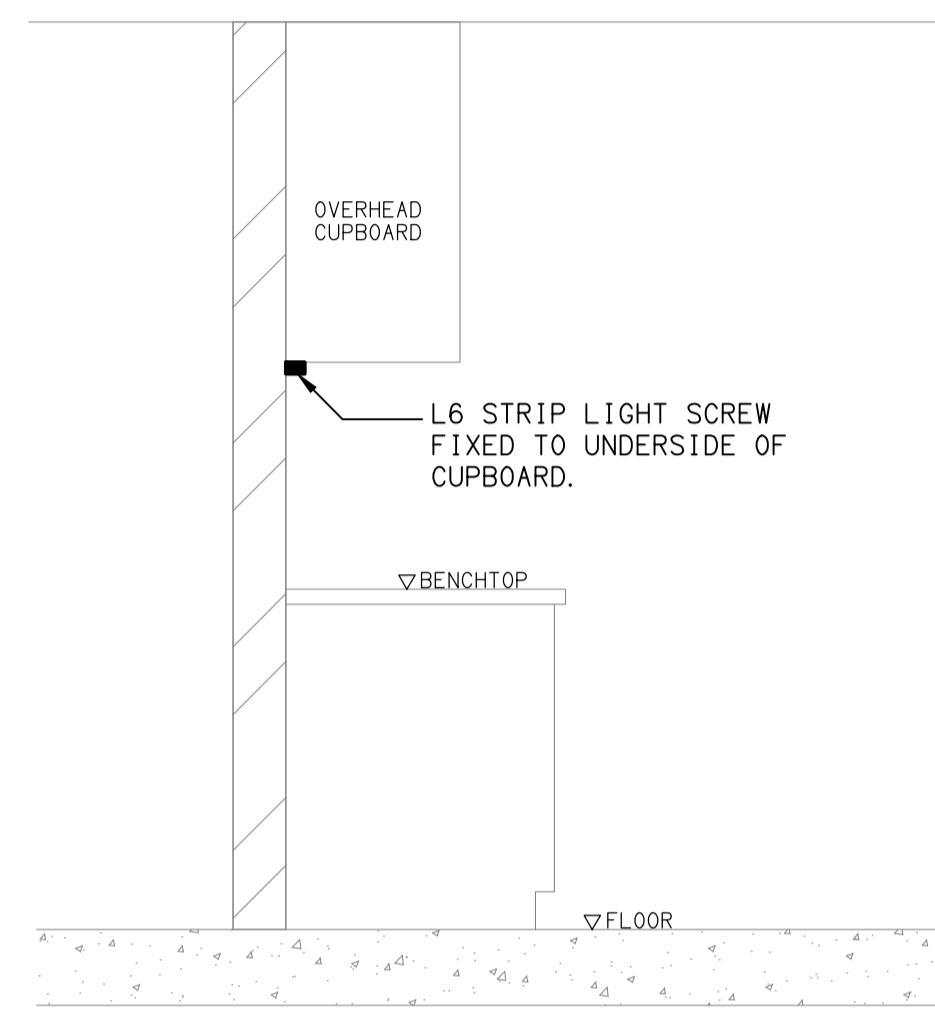
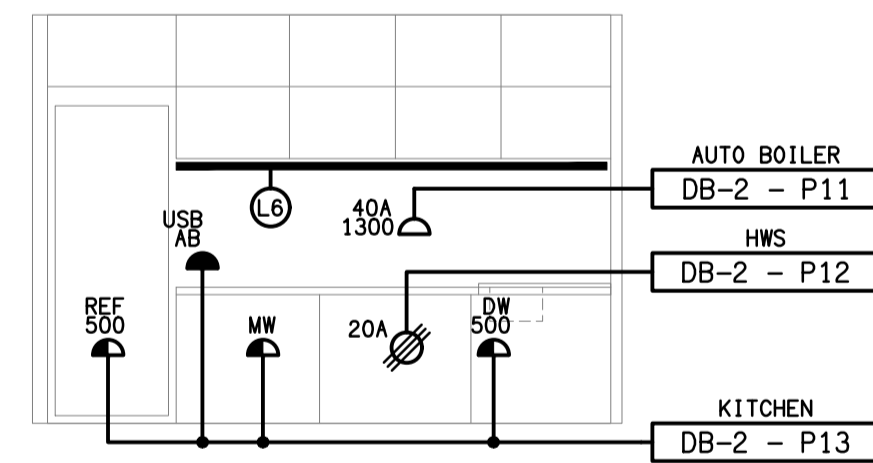


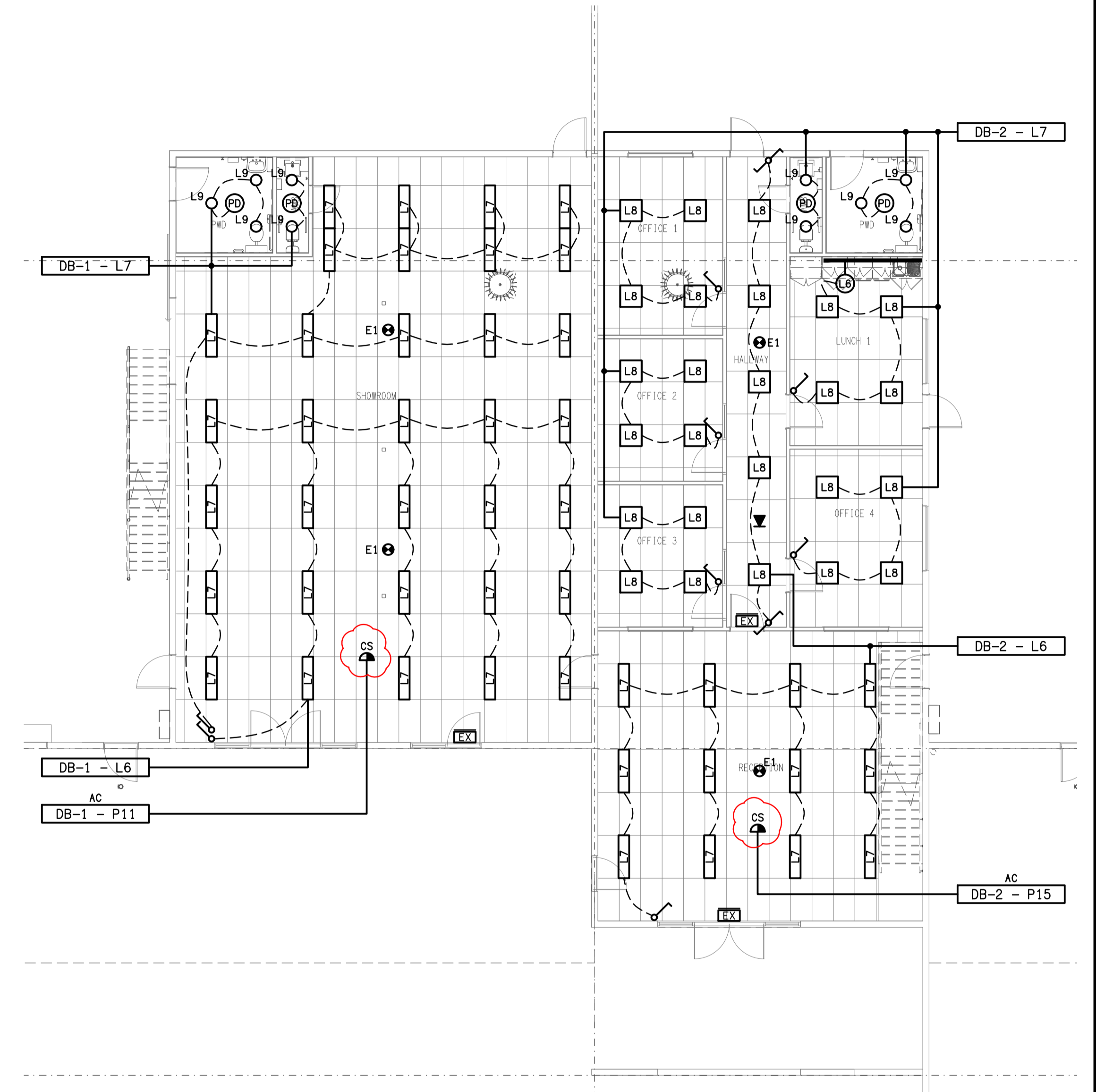
GROUND LEVEL
FLOOR PLAN
SCALE 1:100



DETAIL B
TYPICAL "L6" STRIP LIGHT MOUNTING
NOT TO SCALE



DETAIL A
LUNCH 1 KITCHENETTE ELEVATION
NOT TO SCALE



GROUND LEVEL
REFLECTED CEILING PLAN
SCALE 1:100

ELECTRICAL DESIGN GROUP BRISBANE
PTY LTD
ACN 092 710 793
TRADING AS:
ELECTRICAL DESIGN GROUP

THE COPYRIGHT OF THIS DRAWING
REMAINS THE PROPERTY OF THE
ELECTRICAL DESIGN GROUP.

USE FIGURED DIMENSIONS
IN PREFERENCE TO SCALE.

ALL DIMENSIONS TO BE
VERIFIED ONSITE.

ELECTRICAL DESIGN GROUP
ELECTRICAL BUILDING SERVICES CONSULTANTS
BRISBANE GOLD COAST

P.O. Box 15, Sherwood Q.4075
Phone: (07) 3278 4375
Email: brisbane@edg.net.au
Web: www.edg.net.au

PROJECT:
BURNSIDE ROAD, GILBERTON

LOT 4 BURNSIDE ROAD, GILBERTON, QUEENSLAND

E	CONSTRUCTION	17/04/2024
REV.	DESCRIPTION:	DATE:

DRAWING: ELECTRICAL SERVICES GROUND LEVEL FLOOR PLAN & REFLECTED CEILING PLAN			
SCALE: 1:100	PROJECT NO: C2964a	DRAWING NO: E04	REVISION: E